

SUSPENSION



FIVE-LIGHT SUSPENSION
with VISIBLE HARDWARE

ONE S5

GLASS BODY: translucent white

CLEAR GLASS TRIM: round or square

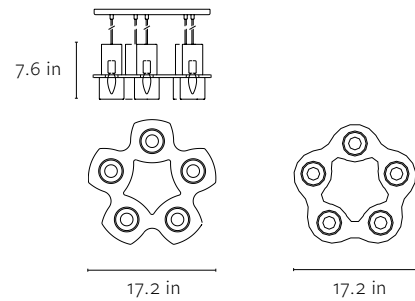
TINTED CROWN: ● amber

● smoke


LAMP HARDWARE: nickel tripod w/satin finish

CEILING CANOPY: titanium finish

CORD (6', INCLUDED): black /white



LAMPING:

 candelabra 60w 120v (5x)

DESIGN: ©2002 Bradley Sweek |  761206-001



Spectacular five-light variation of a classic FLUX fixture. A dramatic assembly of handcrafted glass and satin-finish nickel hardware offers an artful focal point to any interior. Opaque white bases are capped with clear, custom-textured trimplate and tinted crown. Round or square trim available.

