

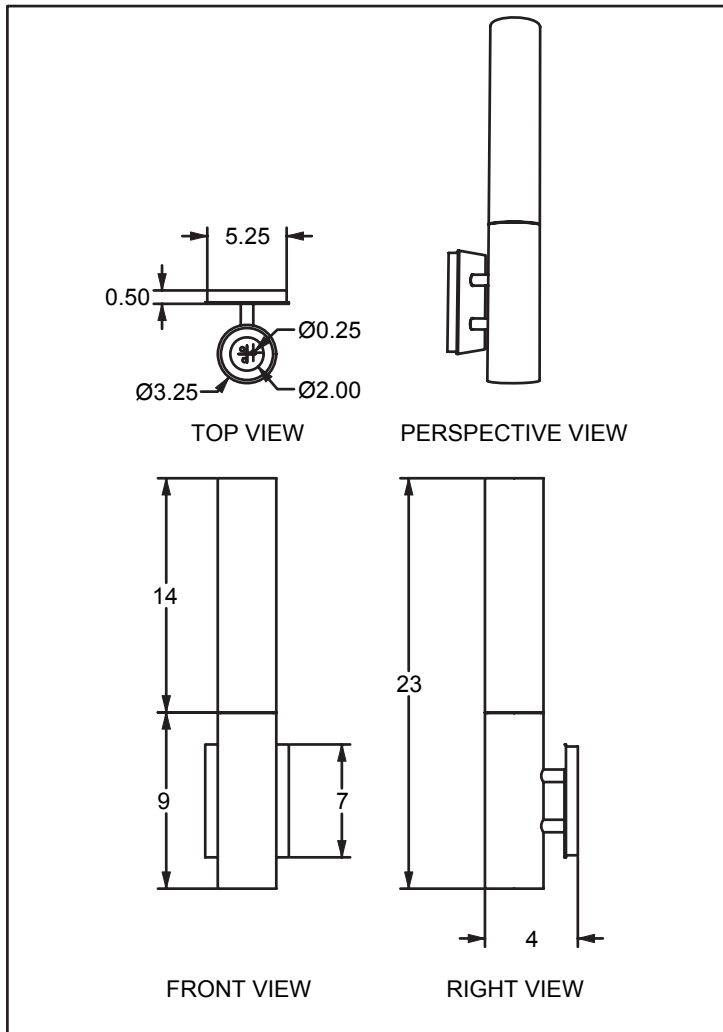
FLUX CAT NO.	HEIGHT	VASE HEIGHT	WIDTH	DEPTH	WEIGHT	LAMPING	NO. OF LAMPS	BALLAST/ VOLTAGE
VESSEL-CFL	23"	14.00"	4.75"	4"	5 LBS	13 w CFL	2	LINE
VESSEL-LED	23"	14.00"	4.75"	4"	5 LBS	5 w LED	6	LINE

CONSTRUCTION	FINISH	DIFFUSER
STEEL AND ALUMINIUM	POWDER COAT PMB - 2656 (WAY BLACK)	CRYSTAL, NO COLOR

UL listed, damp location
ADA compliant



Vessel wall sconce casts light upward into glass vase and downward to highlight house numbers, entry or wall textures. Water, flowers, polished stones or favorite objects come alive. Vase removes easily for cleaning.



Designed by Michelle Kaufmann
in association with Flux Inc.